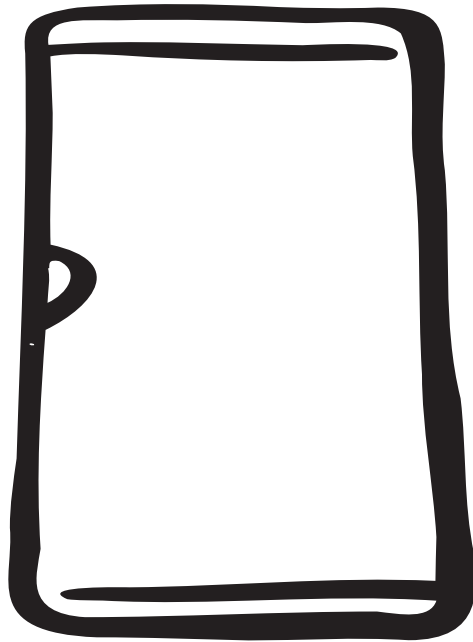


REFRIGERATOR

INSTRUCTION BOOK



ER 1642 T

**This instruction book contains safety precautions, information on use and helpful hints and tips.  
To ensure you use this appliance effectively and safely, please read this instruction book carefully before installing or using this appliance and retain for future reference.**

The symbols below help you to find things more easily:



**Safety precautions**

Warnings and Safety information



**Hints, useful information**



**Environmental information**

# IMPORTANT SAFETY INSTRUCTIONS

These warnings are provided in the interests of your safety. Ensure that you understand them all before installing or using this appliance. Your safety is of paramount importance. If you are unsure about any of the meanings or these warnings contact the Customer Care Department.

## Prior to installation

- Check the appliance for transport damage. Under no circumstances should a damaged appliance be installed. In the event of damage please contact your retailer.

## Installation

- This appliance is heavy. Care should be taken when moving it.
- It is dangerous to alter the specifications or attempt to modify this product in any way.
- Ensure that the appliance does not stand on the electrical supply cable. If the supply cable is damaged, it must be replaced by a cable available from your local Service Force Centre.
- Any electrical work required to install this appliance should be carried out by a qualified electrician or competent person.
- Parts which heat up should not be exposed. Whenever possible, the back of the appliance should be close to a wall, but leaving the required distance for ventilation, as stated in the installation instructions.
- The appliance should be left for 2 hours after installation before it is turned on, in order to allow the refrigerant to settle.

## Child Safety

- Do not allow children to tamper with the controls or play with the product.
- There is a risk of suffocation! Keep packaging material away from children!

## During Use

- This appliance is designed for domestic use only, specifically for the storage of edible foodstuffs. It is not intended for commercial or industrial use.
- Containers with flammable gases or liquids can leak at low temperatures. Do not store any containers with flammable materials, such as spray cans, fire extinguisher refill cartridges etc.
- Frozen food should not be refrozen once it has thawed out.
- Do not place carbonated or fizzy drinks in the freezer compartment.
- Ice lollies can cause 'frost/freezer burns' if consumed straight from the freezer compartment.

- Do not remove items from the freezer compartment if your hands are damp/wet, as this could cause skin abrasions or frost/freezer burns.
- Bottles and cans must not be placed in the freezer compartment they can burst when the contents freeze.
- Manufacturers' recommended storage times should be adhered to. Refer to relevant instructions.

## Maintenance and Cleaning

- Before cleaning, always switch off the appliance and disconnect from the electrical supply.
- When unplugging always pull the plug from the mains socket, do not pull on the cable.

## Servicing

- This product should be serviced by an authorised engineer and only genuine spare parts should be used.
- Under no circumstances should you attempt to repair the appliance yourself. Repairs carried out by inexperienced persons may cause injury or serious malfunctioning. Contact your local Service Force Centre.

## At the end of the Appliance Life


- When disposing of your appliance use an authorised disposal site.
- Remove the plug and ensure that any locks or catches are removed, to prevent young children being trapped inside.



## The Appliance and the Environment

This appliance does not contain gases which could damage the ozone layer.

Avoid damaging the cooling unit.

The packaging used on this appliance marked with the  symbol is recyclable.

**Keep this instruction book for future reference and ensure it is passed on to any new owner.**

# CONTENTS

## Instructions for the User

<b>Guide to use the instruction book</b>	<b>2</b>
<b>Important Safety Instructions</b>	<b>3</b>
<b>Instructions for the User</b>	<b>5</b>
General Information	5
Description of the Appliance	5
<b>Using the Appliance</b>	<b>6</b>
Before Use	6
To Start the Appliance	6
Thermostat Control	6
Hints for storage	7
Storage time and temperature of foods	7
How to use the two-star frozen food compartment	7
How to make ice cubes	7
Storage Shelves	8
<b>Hints and Tips</b>	<b>8</b>
Food Storage	8
Energy Saving Advice	8
<b>Maintenance and Cleaning</b>	<b>8</b>
Internal cleaning	8
External cleaning	8
Defrosting	9
Changing the Light Bulb	9
When the appliance is not in use	9
<b>Something Not Working</b>	<b>10</b>
<b>Service and Spare Parts</b>	<b>10</b>
<b>Customer Care Department</b>	<b>11</b>
<b>Guarantee Conditions</b>	<b>11</b>

## Instructions for the Installer

<b>Technical Specifications</b>	<b>12</b>
<b>Installing the Appliance</b>	<b>12</b>
Transportation, Unpacking	12
Cleaning	12
Location	12
Ventilation Requirements	13
Levelling	13
Door Reversal	13
<b>Electrical Connection</b>	<b>15</b>
<b>Storage Chart (1)</b>	<b>16</b>
<b>Storage Chart (2)</b>	<b>17</b>

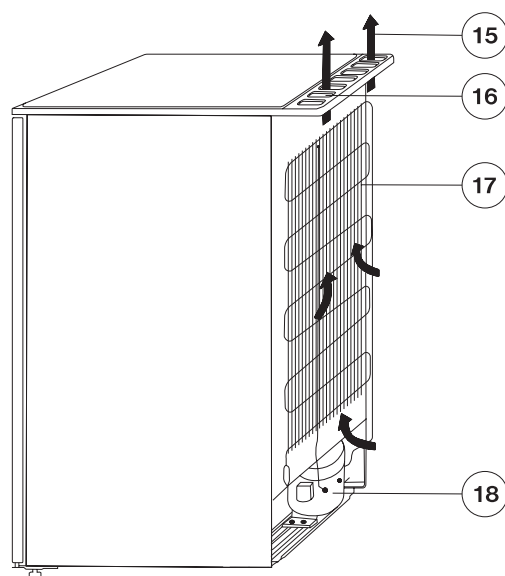
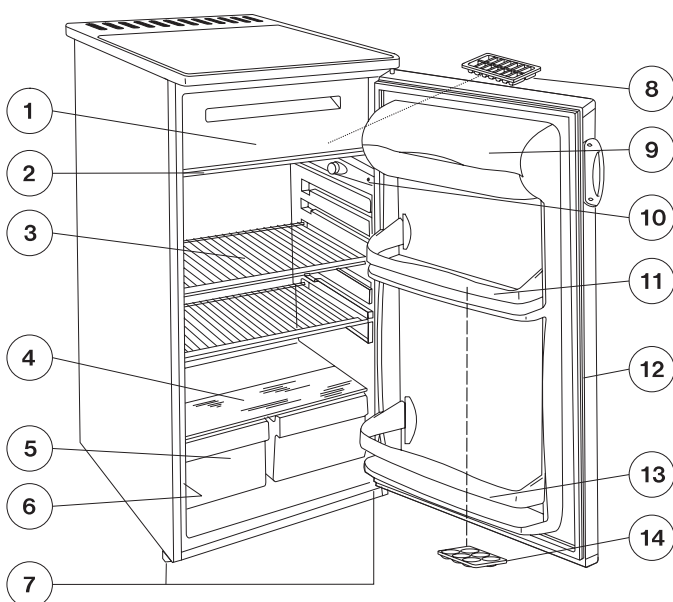
# INSTRUCTIONS FOR THE USER

## General information

This appliance is designed for the refrigeration of food in a domestic home. It has a two-star frozen food compartment for ice making and frozen food storage.

To ensure correct operation, the appliance should be located where the ambient temperature is between 16-32 °C.

## Description of the appliance



1. Frozen food compartment
2. Drip tray
3. Wire shelf
4. Glass shelf
5. Salad drawer
6. Rating Plate
7. Adjustable feet
8. Ice tray
9. Butter compartment


10. Interior light/Thermostat control
11. Door shelf
12. Gasket
13. Bottle shelf
14. Egg tray
15. Air circulation
16. Air vent
17. Condenser
18. Compressor

# Using the Appliance

## Before Use

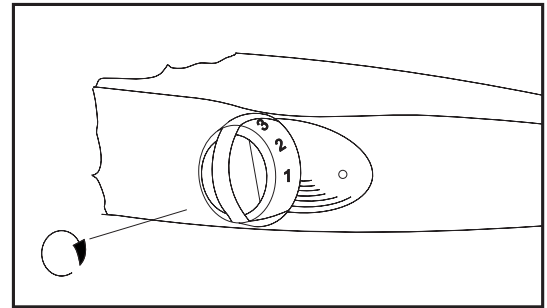
Remove all securing tapes.

Wash the inside of the appliance with lukewarm water with a little bicarbonate of soda added (5 ml to 0,5 litre of water). Do not use soap or detergent as the smell may linger. Dry the appliance thoroughly.

 *Do not use detergents, abrasive powders, highly perfumed cleaning products, wax polishes or products containing alcohol.*

## To Start the Appliance

1. Allow the appliance to stand for 2 hrs after installation.
2. Plug in the appliance and switch on at the mains supply.
3. Turn the thermostat control to the required setting.  
A setting of 3 - 4 is usually suitable for normal operation (see thermostat control).
4. Leave the appliance for approximately 4 hours for the correct temperature to be reached before placing food inside.



## Thermostat Control

The thermostat control situated inside the refrigerator regulates the temperature of the larder compartment. Thermostat control is marked from 1-5 the higher the number, the colder the setting.

Position 0 - Off

Position 1 - minimum coldness

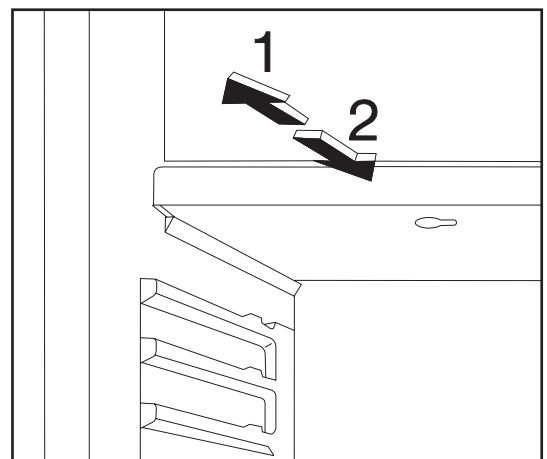
Position 5 - maximum coldness

Model	If the ambient temperature is greater than	Position of drip tray
ER 1642 T	+25 °C	Open (pos. 1)

The temperature inside the refrigerator and the 2-star compartment can be regulated further by adjusting the tray located under the 2-star compartment.

To obtain a lower temperature in the 2-star compartment when frozen food is stored inside and when the ambient temperature is 25 °C or lower push the tray in Position 2. When frozen food is not stored in the 2-star compartment and when the ambient temperature is higher than 25 °C pull the tray out to Position 1.

If frozen food is stored in the 2-star compartment and the ambient temperature is above 25 °C, pull the tray out to position 1 and turn the thermostat control to a colder setting (higher number). When the ambient temperature falls below 25 °C turn the thermostat control back to a medium setting and push the tray into position 2.



## Hints for storage

Below is the recommended storage positions for various food types:

1. Frozen food storage & ice making
2. Ready-cooked foods
3. Foods in dishes
4. Opened cans
5. Milk, dairy products
6. Fresh meat, cold cuts, sausages, etc.
7. Fruits, vegetables, salads
8. Cheese, butter
9. Eggs
10. Yoghurt, Cream
11. Small bottles, soft drinks
12. Large bottles, drinks

## Storage time and temperature of foods

The enclosed charts at the end of this instruction book give information about storage time in the frozen and the fresh food compartment.

The storage times quoted are intended as a guide only.

## How to use the two-star frozen food compartment

The frozen food compartment is separated from the fresh food compartment by the drip tray.

Depending on the position of the thermostatic control knob and the temperature in the compartment (-12 °C or lower), frozen food can be stored here.

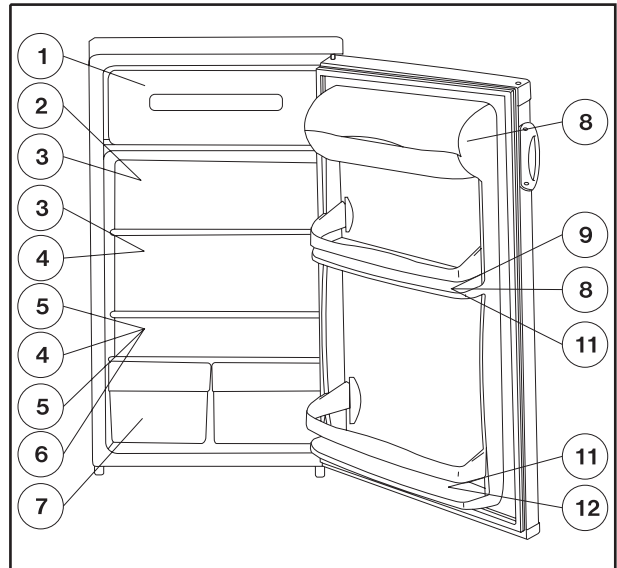
Small quantities of fresh food can be frozen in the two-star compartment but storing them for a long period of time is not recommended.

Do not allow fresh food to come into contact with foods that are already frozen.

## How to make ice cubes

Fill the supplied ice cube tray  $\frac{3}{4}$  full with water and place in the freezer compartment. Turning up the thermostat control will speed up the freezing process, but remember to turn the thermostat control back to its original position.

To release the ice cubes, once frozen, twist the tray along its length.



## Storage Shelves

The shelves in the refrigerator compartment are adjustable to allow storage of large items. The shelves can be re-arranged by opening the door to 90°.

The door shelves are also adjustable.



To allow the air to circulate within the fridge compartment do not cover the wire shelves with paper or trays.

## Hints & Tips

### Food Storage

- To obtain the best results from your appliance neither hot foods nor liquids which may evaporate, should be placed in the larder compartment.
- Keep the time between buying chilled food and placing it in your fridge as short as possible.
- Do not push food together too much, try to allow air to circulate around each item.

- Do not store food uncovered.
- Remove suspect food from your refrigerator and clean, refer to cleaning and maintenance.

## Energy Saving Advice

- Do not install the cabinet close to sources of heat, such as a cooker, dishwasher or radiator.
- Locate the appliance in a cool well ventilated room and make sure that the air openings of the cabinet are not obstructed.
- Always leave warm food to cool down to room temperature before placing in the fridge.
- Try to avoid keeping the door open for long periods, or opening the door too frequently as warm air will enter the cabinet, and cause the compressor to switch on unnecessarily often.
- Ensure there are no obstructions preventing the door from closing properly.
- It is advisable to periodically clean the refrigeration system at the back of the appliance with a duster or vacuum cleaner.

# Maintenance & Cleaning



*Before any maintenance of cleaning work is carried out DISCONNECT the appliance from the ELECTRICITY SUPPLY.*

## Internal Cleaning

Clean the inside and accessories with warm water and bicarbonate of soda (5 ml to 0.5 litre of water). Rinse and dry thoroughly.



Do not use detergents, abrasive powders, highly perfumed cleaning products, wax polishes or cleaning products containing bleach or alcohol.



Regularly check the door seals and wipe clean to ensure they are clean and free from debris.

## External Cleaning

Wash the outer cabinet with warm soapy water.

Once or twice a year dust the condenser (black grille) and the compressor at the back of the appliance with a brush or vacuum cleaner, as an accumulation of dust will affect the performance of the appliance and cause excessive electricity consumption.



## Defrosting

While in operation the \*\*-star compartment becomes progressively covered with frost.

This frost, which acts as an insulator and thus prevents the cold from reaching the food should be removed whenever the thickness of the frost exceeds 1/4".

To carry out complete defrosting proceed as follows:

1. Push the conveyor completely in.
2. Place a tray on the upper shelf of the refrigerator under the drain hole of the conveyor.
3. Remove any food from inside the \*\*-star compartment, wrap it in several sheets of newspaper and store in a cool dry place.
4. Turn the thermostat knob on position << 0 >>. To accelerate defrosting, place a bowl of hot water inside the compartment (with a piece of cardboard underneath the bowl as protection).
5. When defrosting is completed, dry thoroughly and remove the water collected in the tray.  
Turn the thermostat knob on a medium position to restart the appliance.

After letting the appliance run for at least half an hour replace the previously removed food into the \*\* -star compartment.

When defrosting it is not necessary to remove the foods from the inner door and the refrigerator compartment.

### Important

A temperature rise of the frozen food packs during defrosting may shorten their storage life.

Never use sharp metal tools to scrape off frost from the evaporator as you could damage it beyond repair.

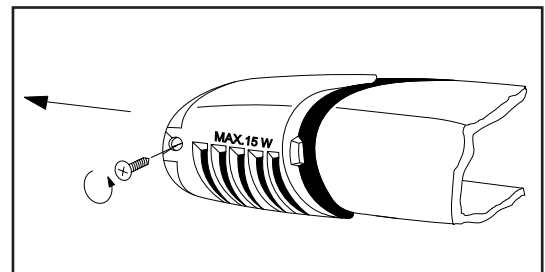
## Changing the Light Bulb

Should the light fail to work you can change it as below:

Disconnect the appliance from the electricity supply.

Remove the lamp cover retaining screws, then take the lamp cover off in the direction of the arrow and the bulb can be changed. (Type of the bulb: 230 V, 15 W, E 14 thread)

After changing the bulb replace the lamp cover, and retaining screws and reconnect the appliance to the electricity supply.



## When the appliance is not in use

When the appliance is not in use for long periods disconnect from the electricity supply, empty all of the food and clean the appliance, leaving the door ajar to prevent unpleasant smells.

# Something Not Working

If the appliance is not working correctly, please carry out the following checks before contacting your local Electrolux Service Force Centre.

Problem	Possible Cause	Solution
No power to the appliance	No power at the socket. There is a power cut.  The fuse has blown. Thermostat control is set at „0“.	Check there is power at the socket. Check there is not a power cut by checking the household lights. Check the fuse has not blown. Check the thermostat.
The temperature in the appliance is too high	The appliance is located in an unsuitable position.  The thermostat control is set too low.	Check the ambient temperature is within the appliances operating limits of 16 °C to 32 °C. Check that the thermostat control knob is turned to the correct setting relative to ambient conditions.
The temperature in the appliance is too low	The thermostat control is set too high.	Set the thermostat control knob to a lower position.
Excessive frost and ice has built up	The door has been left open. Something is obstructing the door. The door gasket is dirty.	Check the door has not been left open. Check nothing is preventing the door from closing. Check the door gasket is intact and clean.
The appliance is noisy.	The appliance is not level.	Check if the appliance stands stable (all four feet should be on the floor).

If after the above checks your appliance still does not operate correctly, contact your local Electrolux Service Force Centre.

Please note that it will be necessary to provide proof of purchase for any in-guarantee service calls.

**In-guarantee customers should ensure that the above checks have been made, as the engineer will make a charge if the fault is not a mechanical or electrical breakdown.**

## Service and Spare Parts

In the event of your appliance requiring service, or if you wish to purchase spare parts please contact your local Electrolux Service Force Centre by telephoning:

**0870 5 929929**

Your call will be routed the Service Force Centre covering your post code area.

For the address of your local Service Force Centre and further information about Service Force, please visit the website at [www.serviceforce.co.uk](http://www.serviceforce.co.uk)

For service in the **Republic of Ireland** contact Electrolux  
Long Mile Road  
Dublin 12

Telephone: 01 4090752.

Before calling out an engineer, please ensure you have read the details under the heading „Something Not Working?“.

When you contact the Service Centre you will need to give the following details:

1. Your name, address and post code
2. Your telephone number
3. Clear and concise details of the fault
4. The model and serial number of the appliance (found on the rating plate)
5. The purchase date

# Customer Care Department

For general enquiries concerning your Electrolux appliance or for further information on Electrolux products, you are invited to contact our Customer Care Department by letter or telephone as follows:

Customer Care Department  
Electrolux  
55-77 High Street  
Slough  
Berkshire  
SL1 1DZ

Tel: 08705 950950 calls to this number may be recorded for training purposes.

## Guarantee Conditions

We Electrolux undertake that if within 12 months of the date of the purchase this Electrolux appliance or any part thereof is proved to be defective by reason only of faulty workmanship or materials, the company will, at our option repair or replace the same FREE OF CHARGE for labour, materials or carriage on condition that:

- The appliance has been correctly installed and used only on the electrical supply stated on the rating plate.
- The appliance has been used for normal domestic purposes only, and in accordance with the manufacturer's instructions.
- The appliance has not been serviced, maintained, repaired, taken apart or tampered with by any person not authorised by us.
- All service work under this guarantee must be undertaken by a Electrolux Service Force Centre
- Any appliance or defective part replaced shall become the Company's property.

Home visits are made between **8.30am** and **5.30pm Monday to Friday**. Visits may be available outside these hours in which case a premium will be charged.

### EXCLUSIONS

#### **This Guarantee does not cover:**

Damage or calls resulting from transportation, improper use or neglect, the replacement of any light bulbs or removable parts of glass or plastic.

- Costs incurred for calls to put right an appliance improperly installed or calls to appliances outside the United Kingdom.
- Appliances found to be in use within a commercial environment, plus those which are the subject of rental agreements.

- Products of Electrolux manufacture which are not marketed by Electrolux.

The guarantee is in addition to your statutory and legal rights.

### **Electrolux EUROPEAN GUARANTEE**

If you should move to another country within Europe then your guarantee moves with you to your new home subject to the following qualifications:

- The guarantee starts from the date you first purchased your product.
- The guarantee is for the same period and to the same extent for labour and parts as exists in the new country of use for this brand or range of products.
- This guarantee relates to you and cannot be transferred to another user.
- Your new home is within the European Community (EC) or European Free Trade Area.
- The product is installed and used in accordance with our instructions and is only used domestically, i.e. a normal household.
- The product is installed taking into account regulations in your new country.

Before you move please contact your nearest Customer Care Centre, listed below, to give them details of your new home. They will then ensure that the local Service Organisation is aware of your move and able to look after you and your appliances.

France	Senlis	+33 (0) 3 44 62 20 13
Germany	Nuremberg	+49 (0) 800 234 7378
Italy	Pordenone	+39 (0) 800 117511
Sweden	Stockholm	+46 (0) 20 78 77 50
UK	Slough	+44 (0) 1753 219898

# Instructions for the Installer

## Technical Specifications

Model	ER 1642 T
Gross capacity (l)	Frozen food comp.: 20 Fresh food com.: 137
Net capacity (l)	Frozen food comp.: 20 Fresh food com.: 118
Width (mm)	550
Height (mm)	850
Depth (mm)	600
Energy consumption (kWh/day)	0.63
(kWh/year)	230
Energy class, according to EU Standards	B
Star rating of frozen food compartment	**
Rated power (W)	100
Weight (kg)	35

## Installing the appliance

### Transportation, unpacking

The appliance and the interior fitting are protected for transport.

- Remove all packaging and any adhesive tape.
- Any remnants of adhesive can be removed using white spirit.
- After transportation the appliance must not be switched on for 2 hours. This is to allow the refrigerant to settle.

### Cleaning

Clean the accessories and the inside of the appliance with warm water and bicarbonate of soda (5 ml to 0.5 litres of water). Rinse and try thoroughly.

*Do not use detergents, abrasive powders, highly perfumed cleaning products, wax polishes or cleaning products containing bleach or alcohol.*

## Location

The appliance should be positioned in a well ventilated, dry room.

Energy use is affected by the ambient temperature.

The appliance should therefore:

- not be installed next to radiators, cookers or other sources of heat
- only be installed at a location where the ambient temperature corresponds to the climate classification, for which the appliance is designed.

The climate classification can be found on the serial plate.

The following table shows which ambient temperature is correct for each climate classification:

Climate Classification	Ambient Temperature
SN	+10 to +32 °C
N	+16 to +32 °C
ST	+18 to +38 °C

## Ventilation Requirements

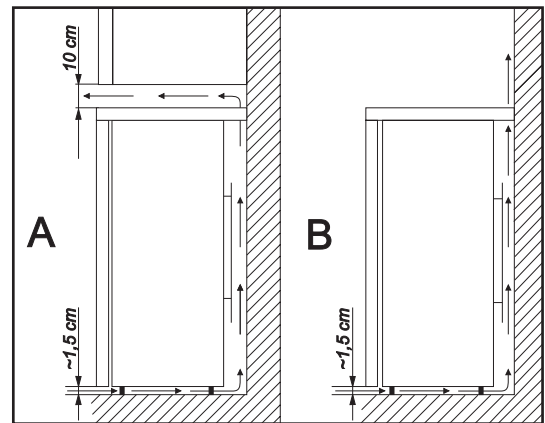
The appliance must have adequate ventilation to ensure correct operation.

Diagram shows the ventilation requirements when installed:

**A:**\* Under a worktop, or cupboard.

\*The clearance space of 10 cm above the appliance may be reduced to 5 cm providing a clearance space 2,5 cm is left on either side of the appliance.

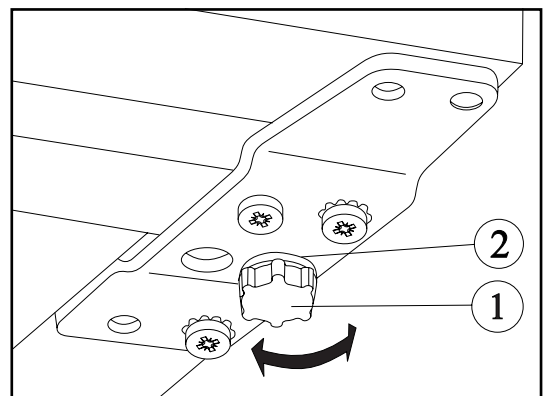
**B:** When freestanding



## Levelling

The appliance must be level. Level the appliance by adjusting the two adjustable feet (1) at the front of the appliance.

If required the washer (2) can be removed.

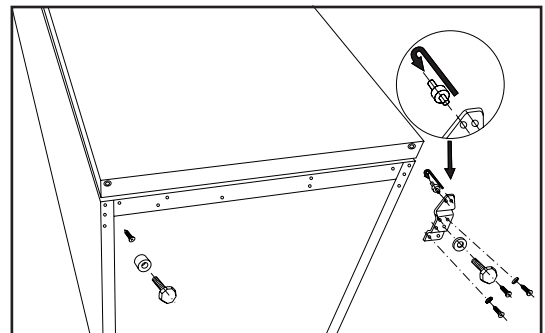


## Door Reversal

If required the opening direction of the door can be changed as follows:

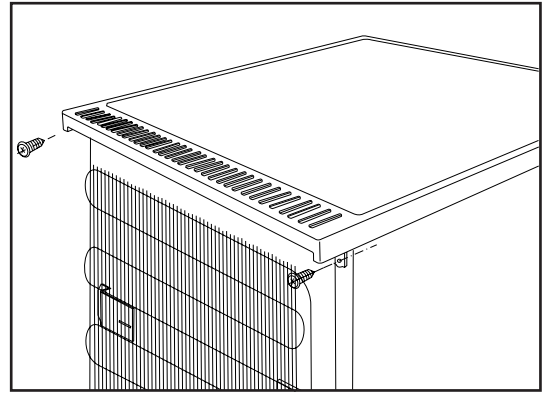
To reverse the bottom hinge assembly proceed as follows:

- Disconnect the appliance from the electricity supply.
- Tilt the appliance backwards, resting the top edge of the appliance on a stool or something similar.
- Unscrew the adjustable feet situated on both sides at the front (2 pieces). Remove the lower door hinge plate by unscrewing the 3 retaining screws.
- Remove the hinge pin from the bottom of the door.
- Slot the hinge pin into the hole in the hinge plate and relocate the hinge assembly to the opposite location and refit using the retaining screws.
- Put the cabinet in the upright position.

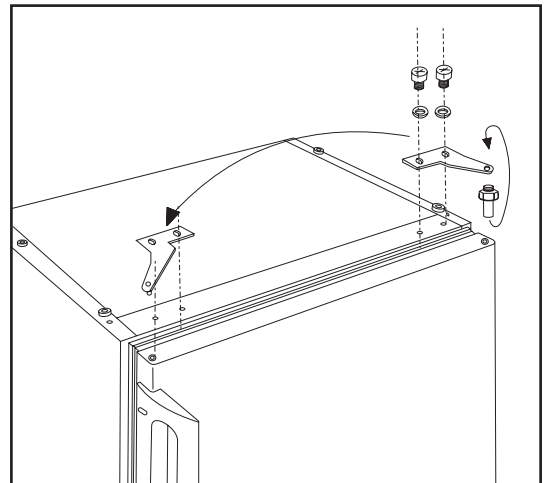


To reverse the top hinge assembly proceed as follows:

- Remove the 2 worktop retaining screws from the back of the appliance.
- Slide the worktop towards the rear and lift clear of the appliance.

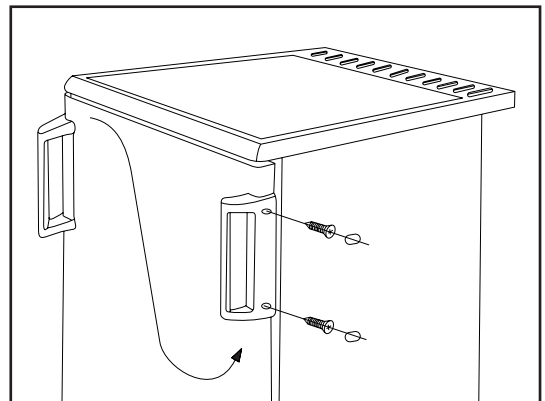


- Remove the 2 upper hinge plate retaining screws.
- Remove the hinge plate from the top of the door.
- Unscrew the hinge pin from the hinge plate and re-insert on the opposite side of the plate.
- Rotate the hinge assembly 180° and insert the hinge assembly into the opposite location.
- Refit the 2 hinge plate retaining screws.
- Relocate the worktop and refit the worktop retaining screws.




To reverse the handle proceed as follows:

- Remove screw covers (if fitted) and handle retaining screws. Remove blanking plugs on the opposite side.
- Relocate the handle to the opposite side and refit retaining screws (covers if fitted), and replace the blanking plugs.



# Electrical Connection

 Any electrical work required to install this appliance should be carried out by a qualified electrician or competent person.

*This appliance must be earthed.*


**The manufacturer declines any liability should these safety measures not be observed.**

## Electrical Requirements

Before switching on, make sure the electricity supply voltage is the same as that indicated on the appliance rating plate.

The appliance is supplied with a 13 amp plug fitted. In the event of having to change the fuse in the plug supplied, a 13 amp ASTA approved (BS 1362) fuse must be used. Should the plug need to be replaced for any reason. The wires in the mains lead are coloured in accordance with the following code:

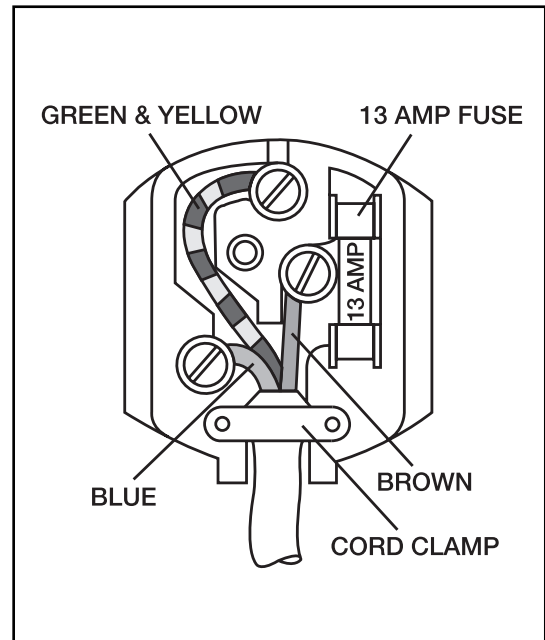
Green and Yellow:	Earth
Blue:	Neutral
Brown:	Live


The wire coloured green and yellow must be connected to the terminal marked with the letter „E“ or by the earth symbol  or coloured green and yellow.

The wire coloured blue must be connected to the terminal „N“ or coloured black.

The wire coloured brown must be connected to the terminal marked „L“ or coloured red.

Upon completion there must be no cut, or stray strands of wire present and the cord clamp must be secure over the outer sheath.



 This appliance complies with the following E.E.C. Directives:

- **73/23 EEC** of 19.02.73 (Low Voltage Directive) and subsequent modifications,
- **89/336 EEC** of 03.05.89 (Electromagnetic Compatibility Directive) and subsequent modifications.

# Storage time chart (1)

Time and method of storage of fresh foods in the refrigerator

Foods	Storage time in days							Method of packaging
	1	2	3	4	5	6	7	
Raw meat	X	X	x	x	x			cling film, airtight
Cooked meat	X	X	X	x	x	x		dish covered
Roasted meat	X	X	X	x	x			dish covered
Raw minced meat	X							dish covered
Cooked minced meat	X	X	x	x				dish covered
Cold cuts	X	X	x	x				cling film, cellophane, grease-proof paper
Fresh fish	X	x	x					cling film, airtight
Cooked fish	X	X	x	x				dish covered
Tinned fish, open	X	x	x					dish covered
Fresh chicken	X	X	X	x	x	x		cling film, airtight
Fried chicken	X	X	X	x	x	x		dish covered
Fresh duck, goose	X	X	X	x	x	x		cling film, airtight
Roasted duck, goose	X	X	X	X	x	x	x	dish covered
Butter unopened	X	X	X	X	X	X	X	original packaging
Butter opened	X	X	x	x	x	x	x	original packaging
Milk	X	X	X	x	x			original packaging
Cream	X	X	x	x				plastic box
Sour cream	X	X	X	X	x	x	x	plastic box
Cheese (hard)	X	X	X	X	X	X	X	aluminium foil
Cheese (soft)	X	X	X	X	x	x	x	cling film
Egg	X	X	X	X	X	X	X	
Spinach, sorrel	X	X	x	x				cling film
Green peas, green beans	X	X	X	X	x	x	x	cling film
Mushroom	X	X	x	x	x			cling film
Carrot	X	X	X	X	X	X	X	cling film
Tomato	X	X	X	X	X	X	X	cling film
Cabbage	X	X	X	X	X	x	x	cling film
Strawberry, raspberry, etc.	X	X	X	x	x			cling film
Tinned fruits opened	X	X	X	x	x			dish covered
Cakes filled with cream	X	X	x	x				dish covered

## Notation:

- X** recommended storage time
- x** maximum recommended storage time




## Storage time chart (2)

Storage time of deep-frozen and frozen products

Foods	In the fresh food compartment +2 - +7 °C	In the **frozen food compartment -12 °C
<b>Vegetables:</b> green beans, green peas, mixed vegetables, marrow, corn, etc.	1 day	30 days
<b>Ready-cooked foods:</b> vegetable dish, trimmings, with meat, etc.	1 day	30 days
<b>Ready-cooked foods:</b> sirloin steaks, stews	1 day	25 days
<b>Soups</b>	1 day	30 days
<b>Fruits:</b> cherry, gooseberry, fruit cream	1 day	30 days
<b>Meat:</b> chicken, duck, goose, tuna fish	1 day	30 days
<b>Ice-cream, Ice-lollies</b>	1 day	3 days





 **The Electrolux Group.** *The world's No.1 choice.*

*The Electrolux Group is the world's largest producer of powered appliances for kitchen, cleaning and outdoor use. More than 55 million Electrolux Group products (such as refrigerations, cookers, washing machines, vacuum cleaners, chain saws and lawn mowers) are sold each year to a value of approx. USD 14 billion in more than 150 countries around the world.*

© **Electrolux Household Appliances Limited 2001**